

Q-Model Series 1800 "Stackable" Ice Cube Machine



Q-Model Series 1800
Stackable Ice Machine on
B-970 Bin



(2) Q-Model Series 1800
Stackable Ice Machines on
B-1400 Bin

- Up to 1,830 lbs. (830 kgs.) daily ice production
- Stackable, double daily ice production, 3,680 lbs. (1,670 kgs.)
- Meets CEE Tier 1 energy standards
- Stainless steel exterior with the fit and finish of an appliance
- Rugged, corrosion-free base
- Patented cleaning and sanitizing technology

- R-404A CFC-free refrigerant
- Warranty

5-year parts and 5-year labor coverage on ice machine evaporator

5-year parts and 3-year labor coverage on ice machine compressor

3-year parts-and-labor coverage on all other ice machine, dispenser, and storage bin components



ISO 9001:2000
Quality System Certified

America's #1 Selling Ice Machine

Ice Cube & Flake Machines • Ice Storage Bins • Ice Dispensers



Manitowoc Q-Model Series 1800 Stackable

Model	Ice Shape	Ice Production 24 hours		Power Usage kWh/100 lbs. @ 90°F Air/70°F			Water Usage/100 lbs. 45.4 kgs. of Ice		ENERGY STAR®	
		70°F Air/ 50°F Water	90°F Air/ 70°F Water	1 Ph	CEE Tier	3 Ph	CEE Tier	Potable Water		CEE Tier
QY-1805S	half-dice	1830 lbs.	1660 lbs.	3.77	1	3.70	1	18.0 gal.		N/A
		830 kgs.	753 kgs.					68.1 L.		
Water-cooled Condenser Water Usage /100 lbs./45.4 kgs. of Ice: 140 gal/530.0 L										
QY-1894S	half-dice	1750 lbs.	1520 lbs.	4.65	1	4.57	2	20.0 gal.		★
		794 kgs.	689 kgs.					75.7 L.		

*Remote Air-cooled with JC-1895 Condenser.

Order ice storage bin separately. "W" following model number indicates "Water" condensing unit, ice storage bin and JC-1895A remote condenser must be ordered separately. Consult remote condenser specification sheet for details.

To order 3 phase add "3" suffix to model # (QY-1894S3). **Note: Placing Q-1800 ice machine on non-Manitowoc bin or large capacity model Manitowoc bin, requires installation of ice deflector K-00139.**



Certified in Accordance with ARI Automatic Commercial Ice-Cube Machines (Batch-Type) Certification Program, which is based on ARI Standard 810

Ice Machine Electric

208-230/60/1 standard. (208-230/60/3 and 230/50/1 also available.)

Min. circuit ampacity: Water-cooled: 22.4 1ph 13.9 3ph
Remote: 23.4 1ph 14.9 3ph

Max. fuse size: Water-cooled: 40 amps 1ph 20 amps 3ph
Remote: 40 amps 1ph 25 amps 3ph

HACR-type circuit breakers can be used in place of fuses.

Specifications

BTU Per Hour:
30,000 (average) 35,000 (peak)

Compressor:
Nominal rating: 3 HP

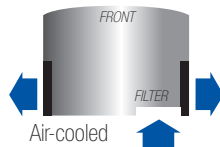
Cupra-Nickel Condenser:
(Water-cooled models)
Adds protection from
corrosive water elements.

Operating Limits:

- Ambient Temperature Range:**
Air and water:
35° to 110°F (1.67° to 43.3°C)
Remote: -20° to 120°F (-29° to 49°C)
- Water Temperature Range:**
35° to 90°F (1.67° to 32°C)
- Water Pressure Ice Maker Water In:**
Min. 20 psi (137.9 kPa)
Max. 80 psi (551.1 kPa)
- Condenser Inlet Water In:**
(Water-cooled only)
Min. 20 psi (137.9 kPa)
Max. 150 psi (1,034.2 kPa)



Air Flow Top View



AuCS® Accessory



AuCS®
Automatic
Cleaning
System

Cube Size Available



Half Dice
3/8" x 1 1/8" x 1/4"
(.95 x 2.86 x 2.22 cm)

We are committed to protecting the environment and its resources. For up-to-date product data always view an electronic version on our web site.

24-HOUR ICE PRODUCTION			
Air Temp.	Half Dice		
	Water Temperature		
F°	50°F	70°F	90°F
C°	10°C	21°C	32°C
WATER-COOLED	70°F	1830	1680
	21°C	830	762
	80°F	1820	1670
	27°C	826	757
REMOTE-COOLED*	70°F	1750	1620
	21°C	794	735
	80°F	1690	1560
	27°C	767	708
WATER-COOLED	90°F	1810	1660
	32°C	821	753
	90°F	1650	1520
	32°C	748	689

Space-Saving Designs

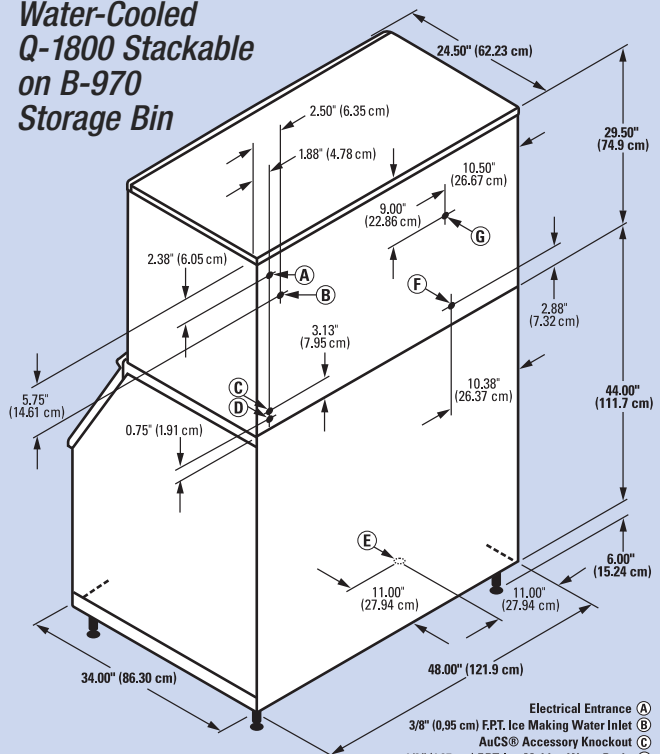


Q-1800 B-970 (2) Q-1800 B-1400

	Q-1800 B-970	(2) Q-1800 B-1400
Height	79.50" 201.90 cm	85.50" 217.17 cm
Width	48.00" 121.92 cm	60.00" 152.40 cm
Depth	34.00" 86.30 cm	34.00" 86.36 cm
Bin Storage	710 lbs. 322.20 kgs.	1,416 lbs. 642.30 kgs.

Height includes adjustable bin legs 6.00" to 7.00" (15.24 to 17.78 cm) set at 6.00" (15.24 cm). For comparison purposes multiply ARI capacity by 1.3 (30%) to arrive at approximate "Application Rating Capacity".
Depth at bin base, 42" including bin door

Water-Cooled Q-1800 Stackable on B-970 Storage Bin



Electrical Entrance (A)
3/8" (0.95 cm) F.P.T. Ice Making Water Inlet (B)
AuCS® Accessory Knockout (C)
1/2" (1.27 cm) F.P.T. Ice Making Water Drain (D)
3/4" (1.91 cm) Bin Drain (E)
1/2" (1.27 cm) F.P.T. Water Condenser Outlet (water-cooled units) (F)
1/2" (1.27 cm) F.P.T. Water Condenser Inlet (water-cooled units) (G)

Installation Note - Minimum installation clearance—
Water and remote units— Top/sides: 8" (20.32 cm), Back: 5" (12.7 cm).



MANITOWOC ICE
2110 South 26th Street, P.O. Box 1720
Manitowoc, WI 54221-1720, USA
Ph: 920-682-0161 • Fax: 920-683-7589
Visit us online at www.manitowocice.com

